

# ARAYÜZ KARTI



Arayüz Kartı çok amaçlı, askeri kullanıma uygun OpenVPX (ANSI/VITA 65) 3U formatında, FPGA ve işlemci (SoC) tabanlı tek kart bilgisayardır. Çeşitli arayüz ihtiyaçlarına yönelik olarak tasarlanmıştır.

## ÖZELLİKLER

- Dual Core ARM Cortex-A9 MP Core
- L1 Cache 32 KB Instruction, 32 KB Data
- L2 Cache 512 KB
- Artix-7 FPGA
- 85K Logic cells
- 220 DSP Slice
- 4.9 MB Blok RAM
- 1 GB DDR3 RAM
- 32 GB eMMC Flash Belleği
- 128/256 Mb Konfigürasyon Belleği
- İşletim systemsiz sürücü desteği



## ARAYÜZLER

- 1 x 10/100/1000 Mbps Ethernet
- 1 x MIL-STD-1553
- 14 x Full Duplex RS422/485
- 3 x Half Duplex RS422/485
- 1 x İzole Full Duplex RS422/485
- 3 x LVTTTL UART
- 2 x RS232
- 1 x USB 2.0
- 1 x CAN Bus
- 16 x Açık/Kapalı Devre Ayrık Sinyal Okuma
- 3 x 28V/Kapalı Devre Ayrık Sinyal Okuma
- 4 x 3.3V GPIO (4 giriş, 4 çıkış)
- 4 x 5V GPIO (4 giriş, 4 çıkış)
- 7 x İki kablolu RTD direnç okuma kanalı
- 3 x ADC kanalı
- 1 x I<sup>2</sup>C
- 2 x SMBus



## GÜÇ GİRİŞİ

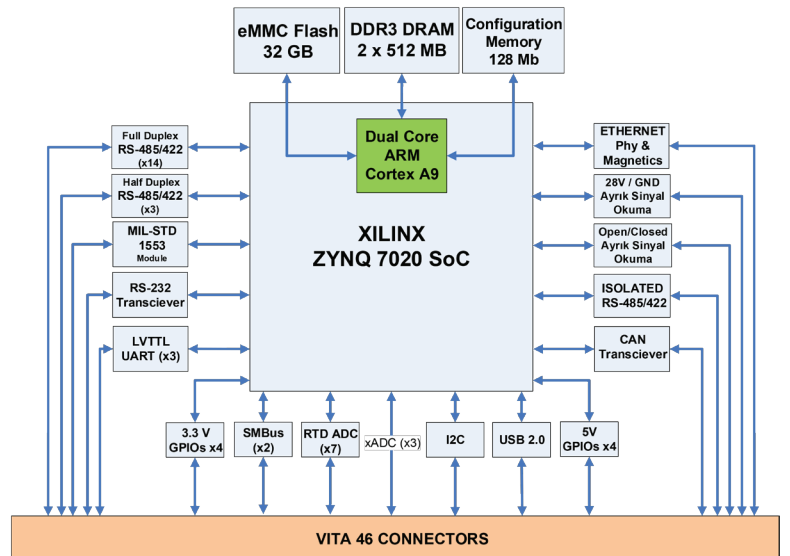
- 12V (~1.2 A) - 15W
- İzole 28V (< 10 mA) (İzole RS422/485 Gücü)

## BOYUTLAR

OpenVPX 3U (16 cm x 10 cm x 2.54 cm)

## ÇEVRESEL ÖZELLİKLER

- Sıcaklık : -40,+71°C ortam
- Titreşim : 0.05 g<sup>2</sup>/Hz (azami), 5-2000 Hz
- Mekanik Şok : 30 g, 11 ms testere



# INTERFACE BOARD



Interface Board is a multipurpose OpenVPX (ANSI/ VITA 65 ) 3U form factor, processor and FPGA (SoC) based single board computer. It is designed for various interface requirements.

## FEATURES

- Dual Core ARM Cortex-A9 MP Core
- L1 Cache 32 KB Instruction, 32 KB Data
- L2 Cache 512 KB
- Artix-7 FPGA
- 85K Logic cells
- 220 DSP Slice
- 4.9 MB Blok RAM
- 1 GB DDR3 RAM
- 32 GB eMMC Flash Memory
- 128/256 Mb Configuration Memory
- Bare metal driver support

## INTERFACES

- 1 x 10/100/1000 Mbps Ethernet
- 1 x MIL-STD-1553 Interface
- 14 x Full Duplex RS422/485 Interface
- 3 x Half Duplex RS422/485 Interface
- 1 x Isolated Full Duplex RS422/485
- 3 x 3.3V LVTTTL UART Interface
- 2 x RS232 Interface
- 1 x USB 2.0
- 1 x CAN Bus
- 16 x Open/Closed Circuit Discrete Input
- 3 x 28V Discrete Input
- 4 x 5V GPIO (4 input, 4 output)
- 7 x 2 wire RTD reading ADC input (4 Ksps)
- 3 x SoC Internal ADC Input (1 Msps)
- 1 x I<sup>2</sup>C
- 2 x SMBus

## POWER INPUT

- 12V (~1.2 A) - 15W
- Isolated 28V (< 10 mA) (Isolated RS422/485 Supply)

## MECHANICAL DIMENSIONS

OpenVPX 3U (16 cm x 10 cm x 2.54 cm)

## ENVIRONMENTAL SPECIFICATIONS

- Temperature : -40,+71°C ambient, conduction cooling
- Vibration : 0.05 g<sup>2</sup>/Hz (maximum), 5 to 2000Hz
- Shock : 30 g, 11 ms sawtooth

